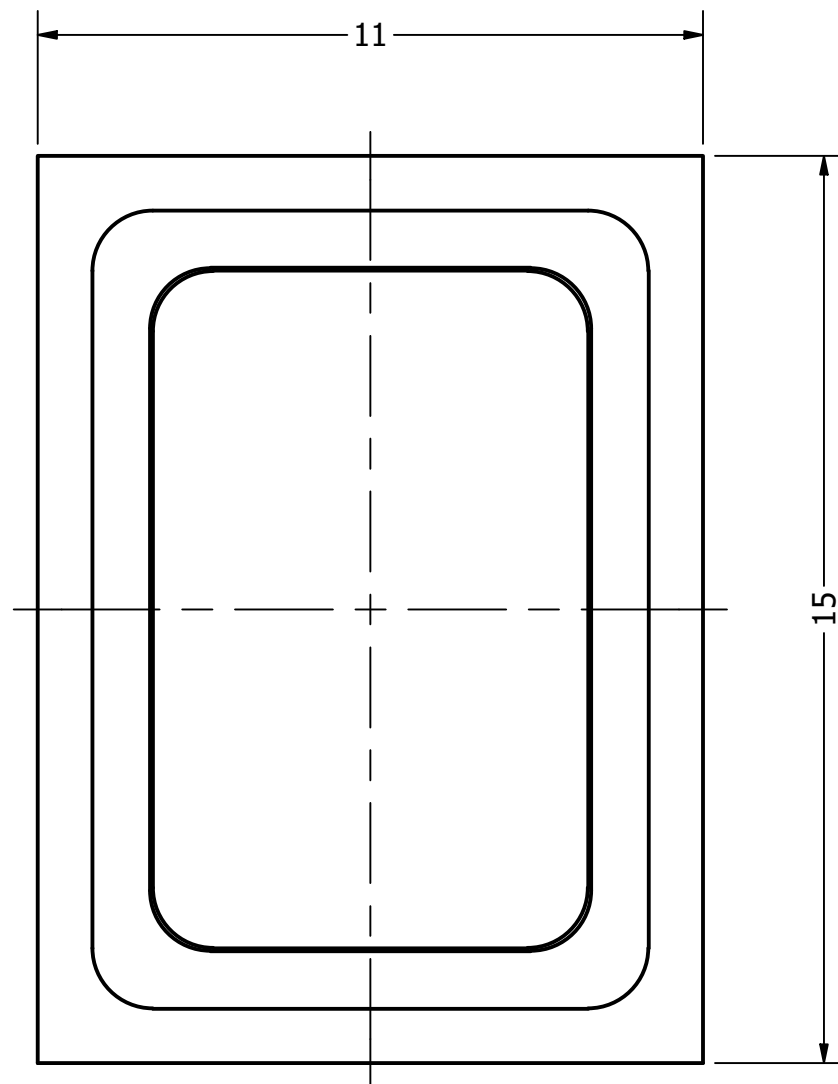
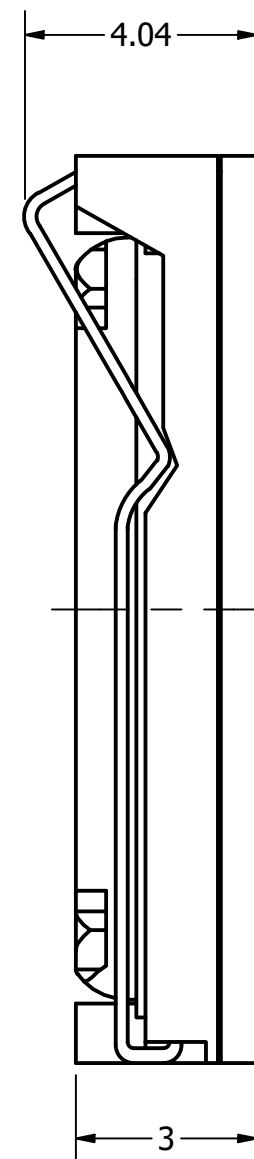


Part Number:	SM150806-2	
	DRAWN CJ	11/17/2022
Description:	Dynamic Speaker	
	CHECKED P.D.	11/18/2022
	APPROVED J.S.	11/18/2022
This document contains data proprietary to DB Unlimited. Any use or reproduction, in any form, without prior written permission of DB Unlimited is prohibited. All terms and conditions can be found at www.dbunlimitedco.com		

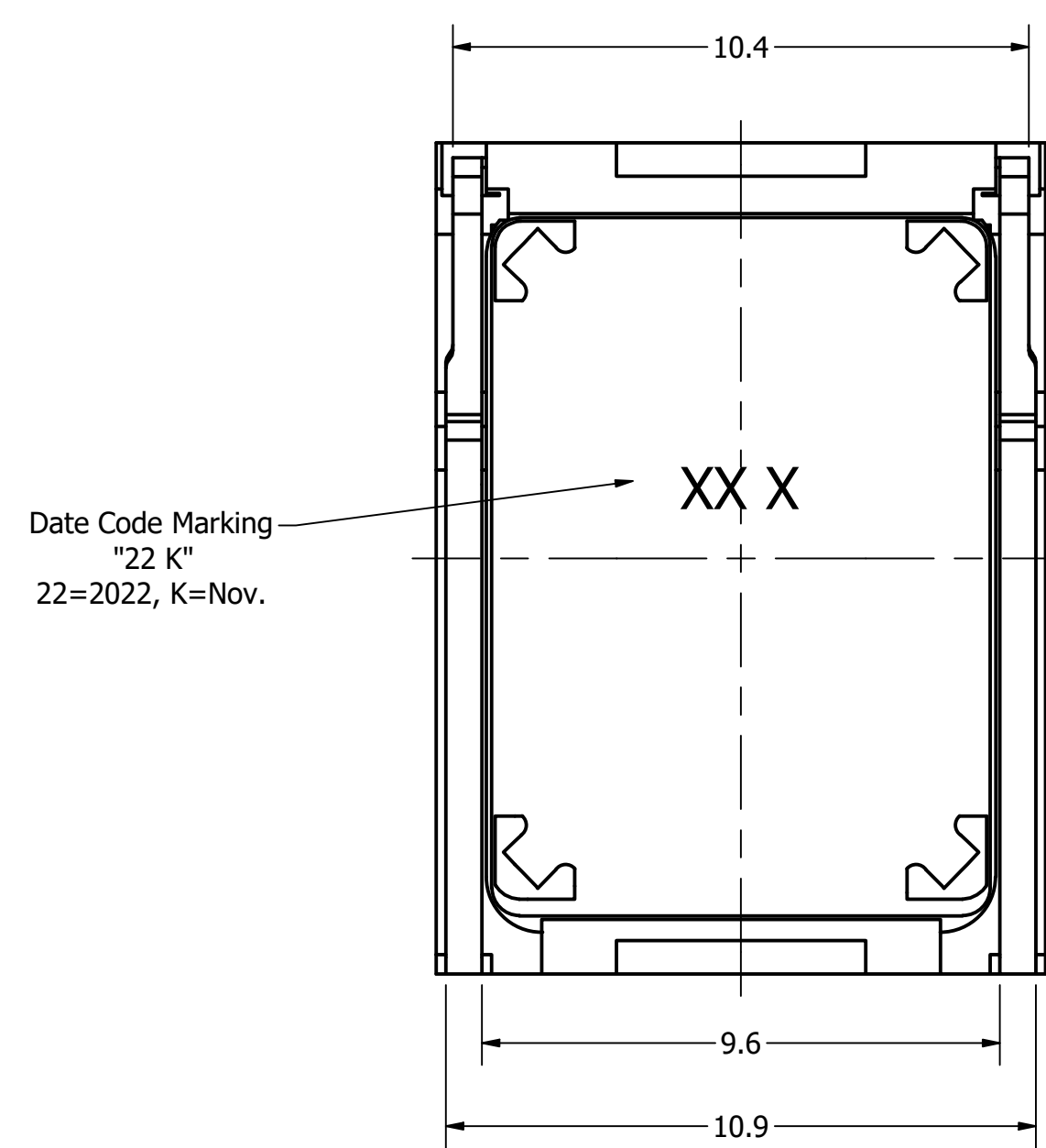
Top View



Side View



Bottom View



Items	Specifications	Conditions
Sound Pressure Level	93	dB (@ 1W/10cm)
Resonant Frequency	850	Hz
Frequency Range	850 ~ 20,000	Hz
Nominal Power	1	W
Max. Power	1.3	W
Impedance	6	Ω
Cone Material	PEEK	
Mount Type	Flush Mount	
Storage Temperature	-40 ~ +85	°C
Operating Temperature	-40 ~ +85	°C

CONFIDENTIAL – DO NOT DISSEMINATE

REVISION HISTORY			
REV	DESCRIPTION	DATE	APPROVED
	Released from Engineering	11/18/2022	J.S.

NOTES	
1) All dimensions are in mm unless otherwise noted	
2) All tolerances are ± 0.15 mm unless otherwise noted	
3) All parts meet RoHS	
4) Subject to change or redrawn without notice	