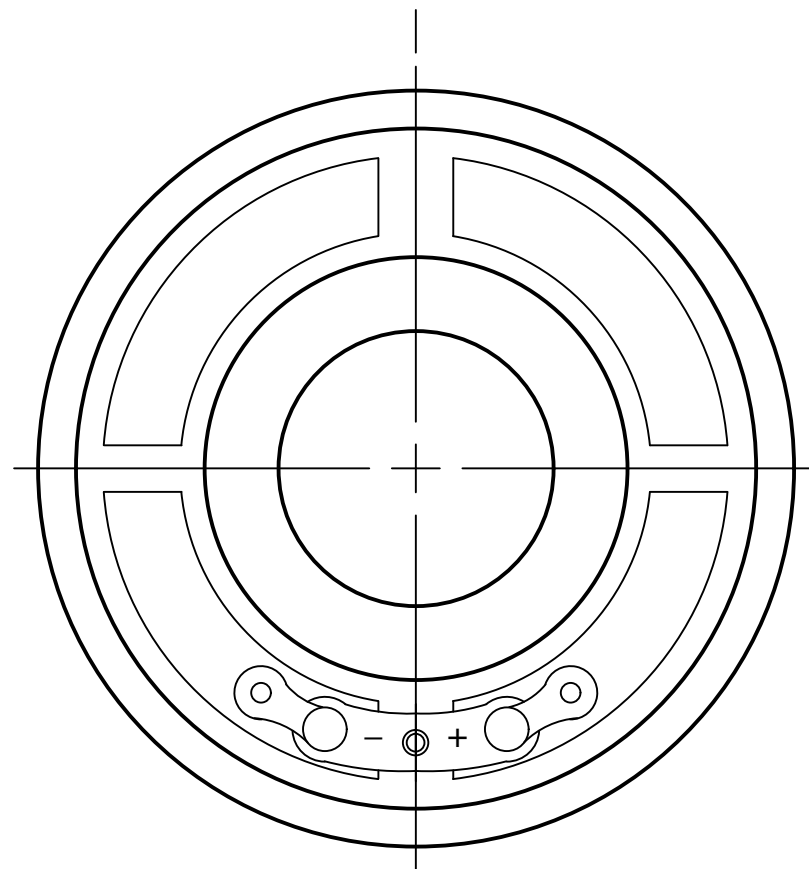




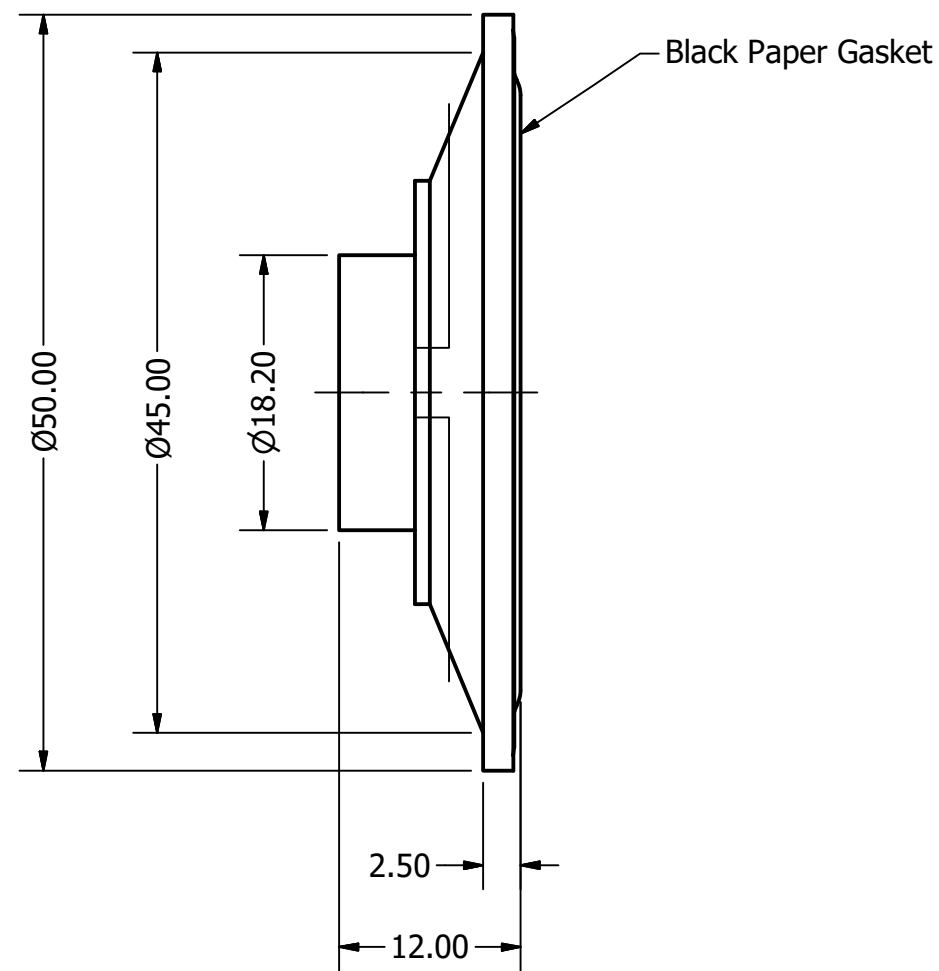
DB UNLIMITED

Part Number:	SP500508-1	
DESCRIPTION:	Dynamic Speaker	
DRAWN	CJ	12/6/2013
CHECKED	P.D	12/14/2013
APPROVED	J.S	12/14/2013
This document contains data proprietary to DB Unlimited. Any use or reproduction, in any form, without prior written permission of DB Unlimited is prohibited. All terms and conditions can be found at www.dbunlimitedco.com		

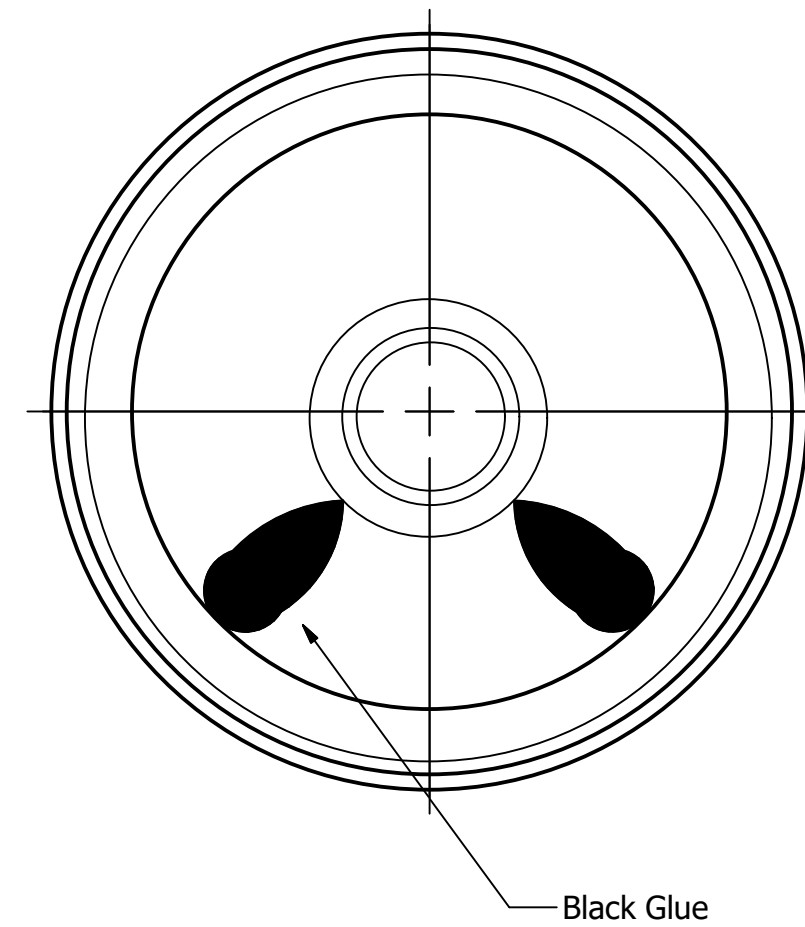
Bottom View



Side View



Top View



Items	Specifications	Conditions	REVISION HISTORY			
			REV	DESCRIPTION	DATE	APPROVED
Sound Pressure Level	104 ± 3	dB (@ 10cm)		Released from Engineering	12/14/2013	J.S.
Resonant Frequency	550	Hz (±20%)		Drawing updated to 2015 drawing format	9/4/2015	J.S
Frequency Range	550 ~ 4,500	Hz	1	Corrected resonant frequency and frequency range	5/22/2017	C.E.
Nominal Power	1	W	2			
Max. Power	1.5	W				
Impedance	8	Ω (±15%)				
Cone Material	Paper					
Mount Type	Flush Mount					
Storage Temperature	-30 ~ +70	°C				
Operating Temperature	-20 ~ +60	°C				
Weight	16	g				
			NOTES			
			1) All dimensions are in mm unless otherwise noted			
			2) All tolerances are ± 0.5 mm unless otherwise noted			
			3) All parts meet RoHS			
			4) Subject to change or redrawn without notice			