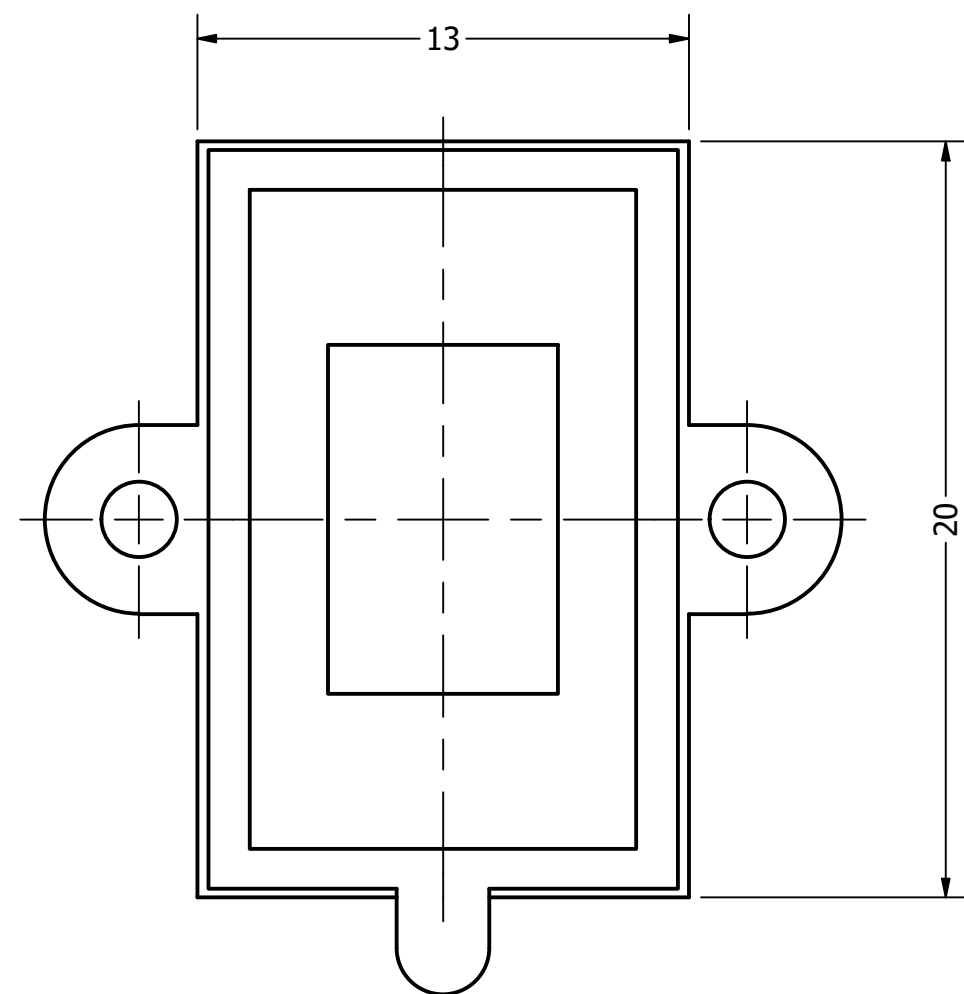


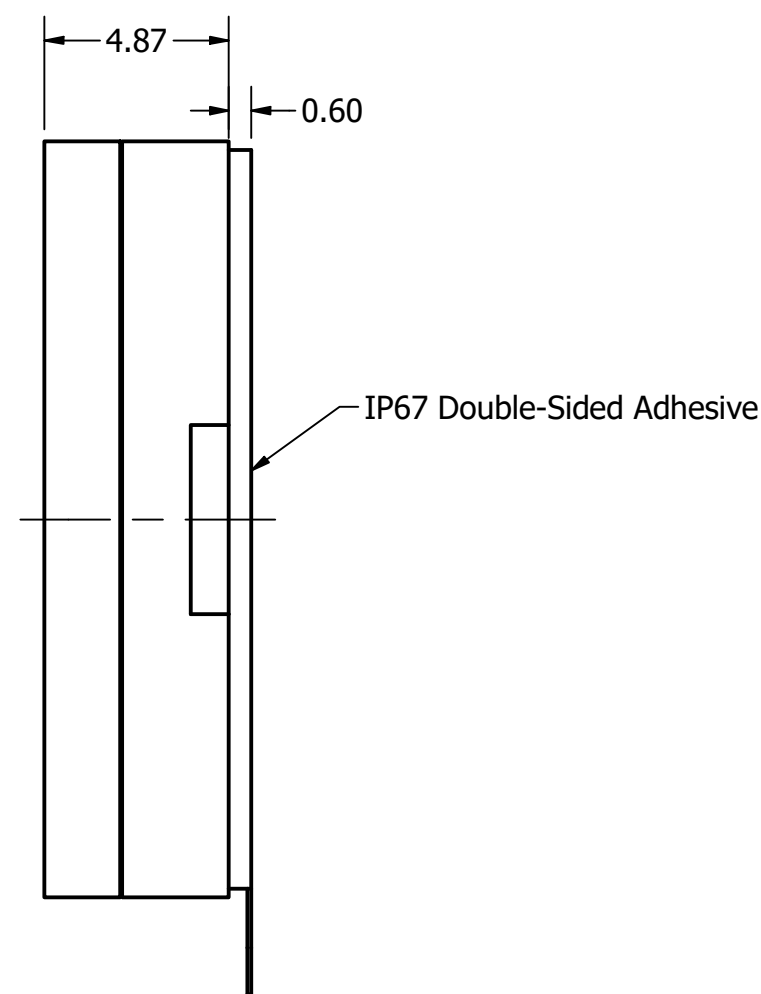
Part Number:	SW201308-1	
DESCRIPTION:	Waterproof Speaker	
DRAWN	CJ	2/24/2021
CHECKED	P.D.	3/10/2021
APPROVED	J.S.	3/10/2021

This document contains data proprietary to DB Unlimited. Any use or reproduction, in any form, without prior written permission of DB Unlimited is prohibited. All terms and conditions can be found at www.dbunlimitedco.com

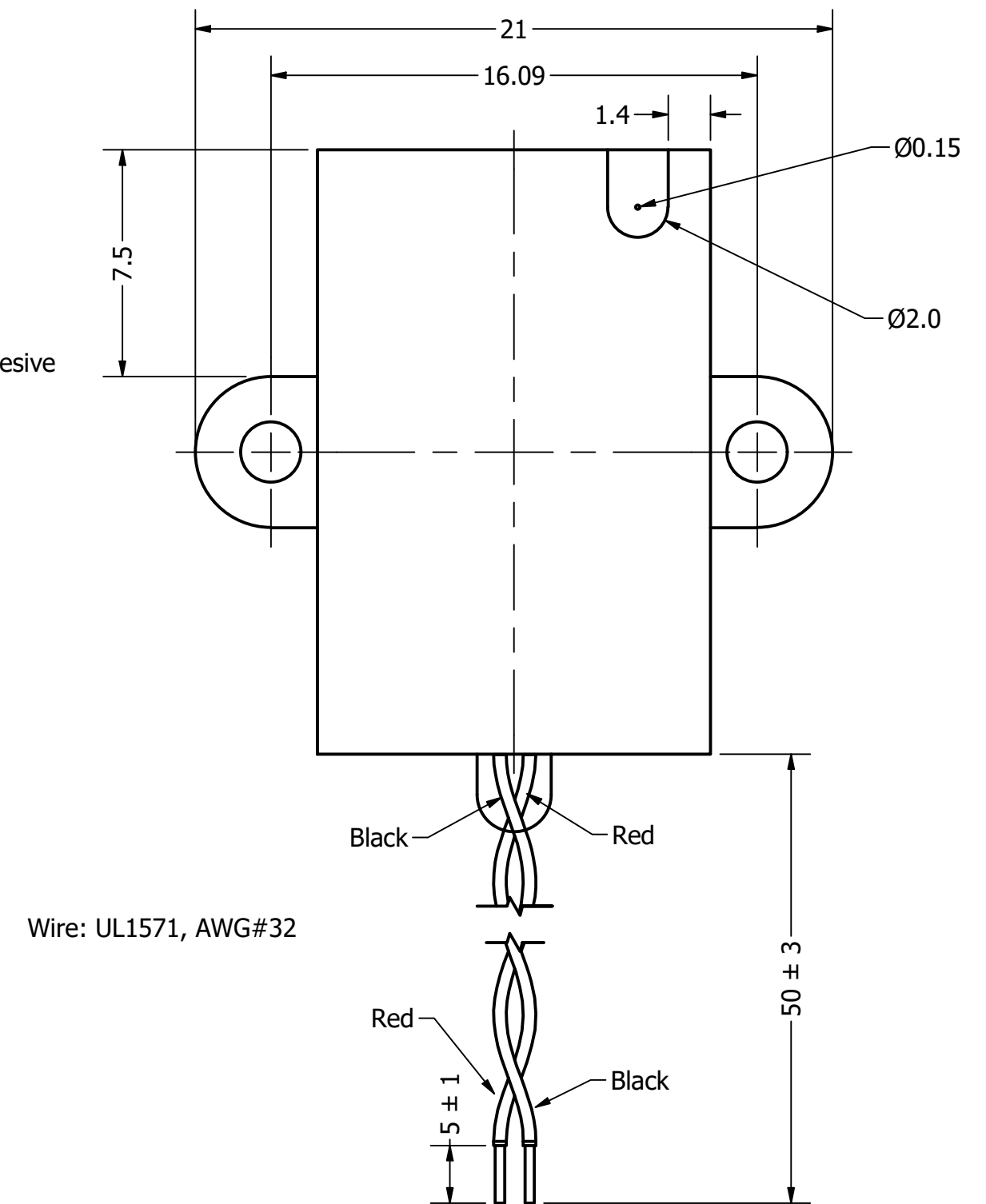
Top View



Side View



Bottom View



Items	Specifications	Conditions
Sound Pressure Level	93 ± 3	dB (@ 1W/10cm), Avg.
Resonant Frequency	500 ~ 20,000	Hz
Frequency Range	1,300	Hz
Nominal Power	0.8	W
Max. Power	1	W
Impedance	8	Ω
Cone Material	Mylar	
Mount Type	Frame Mount	
IP Rating	IP67	
Storage Temperature	-25 ~ +75	°C
Operating Temperature	-25 ~ +75	°C

REVISION HISTORY			
REV	DESCRIPTION	DATE	APPROVED
1	Released from Engineering	3/10/2021	J.S.
	Updated Bottom View	10/21/2021	J.S.

- NOTES**
- 1) All dimensions are in mm unless otherwise noted
 - 2) All tolerances are ± 0.2 mm unless otherwise noted
 - 3) All parts meet RoHS
 - 4) Subject to change or redrawn without notice