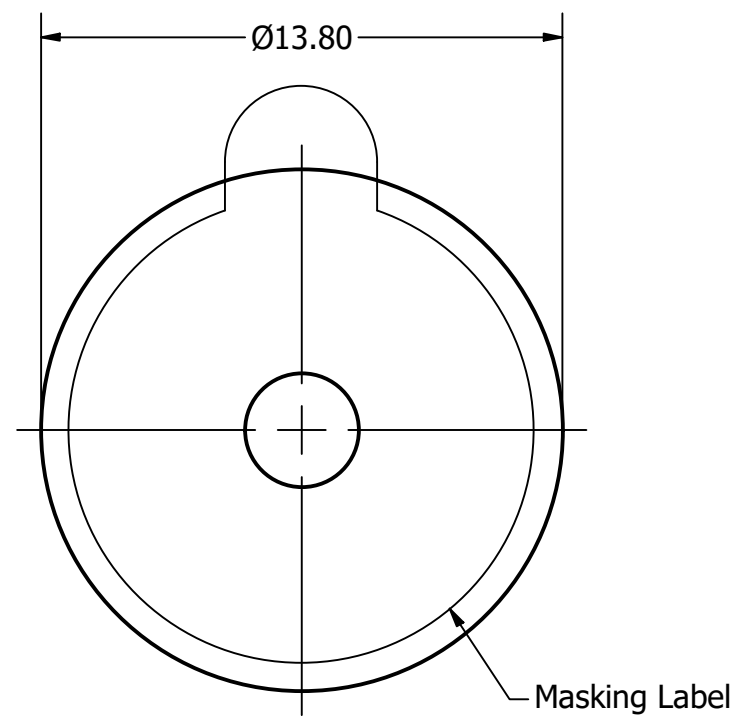
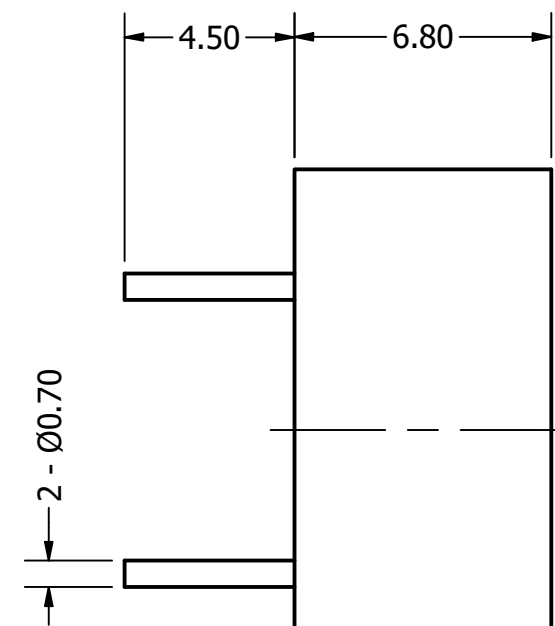


Part Number:	TP134005-1	
DRAWN	CJ	10/7/2016
CHECKED	P.D.	10/7/2016
Description:	Piezo Transducer	
APPROVED	J.S.	10/7/2016
This document contains data proprietary to DB Unlimited. Any use or reproduction, in any form, without prior written permission of DB Unlimited is prohibited. All terms and conditions can be found at www.dbunlimitedco.com		

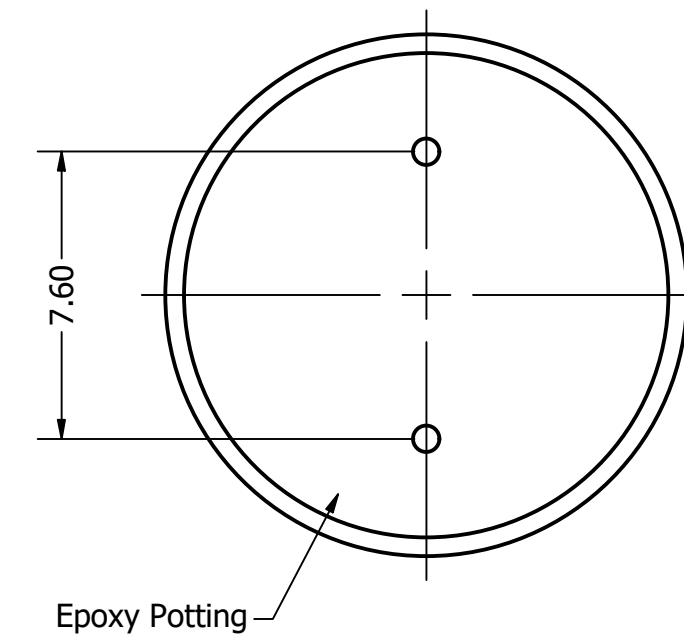
Top View



Side View



Bottom View



Items	Specifications	Conditions	REVISION HISTORY			
Sound Pressure Level	80	dB (@ 10cm)	REV	DESCRIPTION	DATE	APPROVED
Resonant Frequency	4,000	Hz	1	Released from Engineering	10/21/2013	J.S.
Rated Voltage	5	V	2	Updated to new template	10/7/2016	J.S.
Voltage Range	1 ~ 20	V		Updated potting label	11/4/2022	P.D.
Capacitance	13,000	pF	NOTES			
Max. Rated Current	1	mA	1) All dimensions are in mm unless otherwise noted			
Storage Temperature	-30 ~ +80	°C	2) All tolerances are ± 0.5 mm unless otherwise noted			
Operating Temperature	-20 ~ +70	°C	3) All parts meet RoHS			
Connection Method	PC Pins		4) Subject to change or redrawn without notice			
Mount Type	Thru Hole					
Housing Material	Noryl					
Weight	1	g				